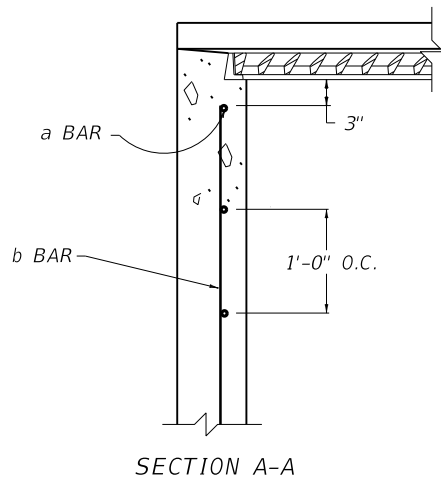
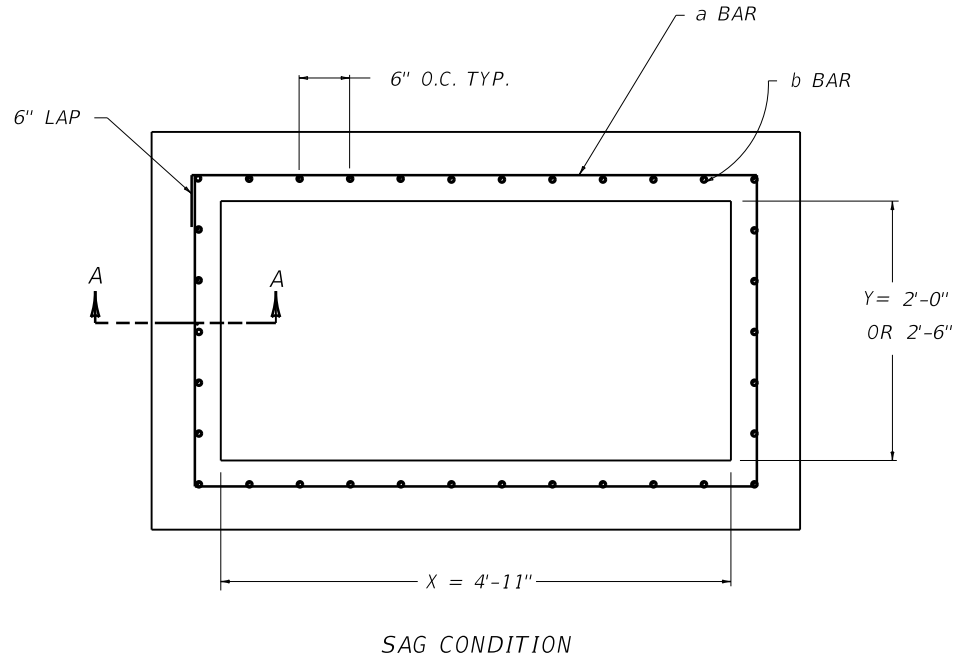
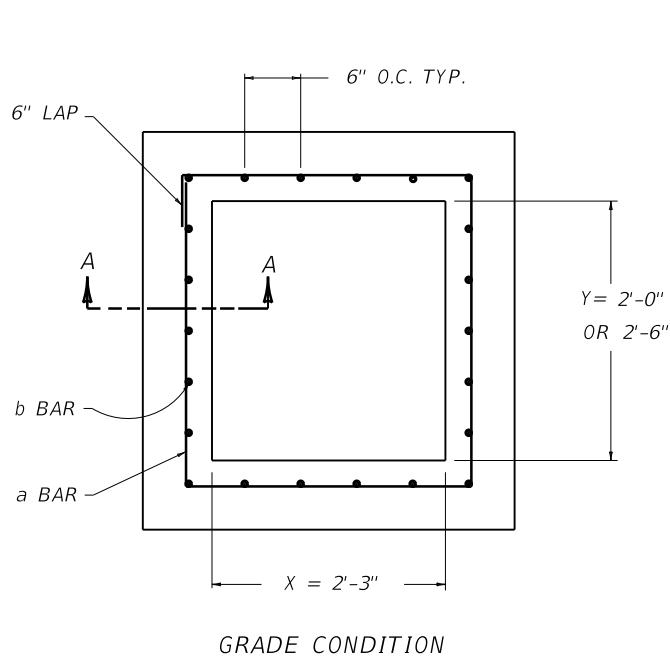


ADDITIONAL STEEL REINFORCEMENT REQUIREMENTS

(RISER, H = 8'-0" TO 15'-0", GRADE AND SAG CONDITION)



APPROXIMATE RISER QUANTITIES PER FT. IN HEIGHT-NO. 5 BARS							
COND- ITION	SIZE		BAR a		BAR b		LBS STEEL
	X	Y	QTY.	LIN. FT.	QTY.	LIN. FT.	
GRADE	2'-3"	2'-0"	1	10'-9"	20	1'-0"	32
		2'-6"	1	11'-6"	22		35
SAG	4'-11"	2'-0"	1	16'-1"	32	1'-0"	50
		2'-6"	1	17'-1"	34		53

USE WITH CUR. STD. DWGS.
 RDI-200 RDB-014 RDB-030
 RDB-031 RDB-032 RDB-033
 RDB-035

KENTUCKY DEPARTMENT OF HIGHWAYS	
DROP BOX INLET TYPE 16 (ADDITIONAL STEEL- RISER)	
STANDARD DRAWING NO. RDB-034-04	
SUBMITTED <i>[Signature]</i>	12-01-15 DATE
APPROVED <i>[Signature]</i>	12-01-15 DATE
<small>STATE HIGHWAY ENGINEER</small>	<small>DATE</small>